

1342 EML TX TO

Features

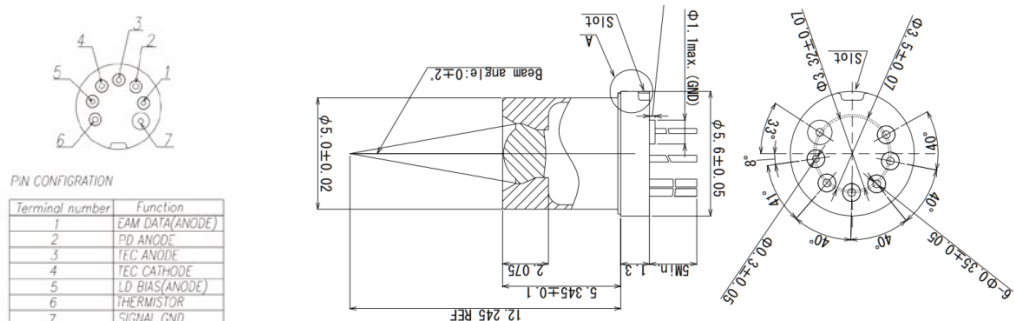
- Data rate 50G
- Operation temperature -40~85°C
- RoHS compliance



Standard Parts

No.	Name	Model	Rate	Temperature (°C)	Optical Output Power SOA=100mA, IOP = 100mA, Eea=0V	Wavelength	Package type	Stitching	Chip type
1	1342 EML TX TO	THC34EM	50G	-40~85°C	>12.5dBm	1342	TO56	7PIN	EML

Dimensions and Pinouts



1577 EML TO

Features

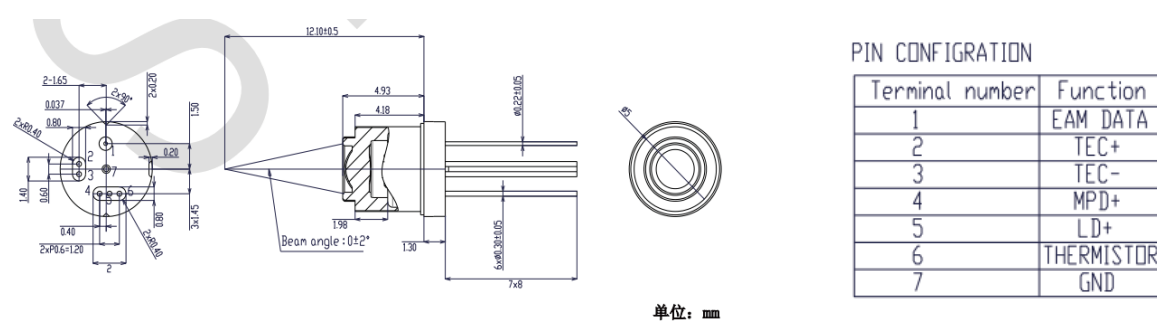
- Data rate 10G
- Operation temperature -40~85°C
- RoHS compliance



Standard Parts

No.	Name	Model	Rate	Temperature (°C)	Optical Output Power TLD = 45°C, IOP = 95mA, VEA = 0V	Wavelength	Package type	Stitching	Chip type
1	1577 EML TO	THC77EM	10G	-40~85°C	10.5mW	1577	TO56	7PIN	EML

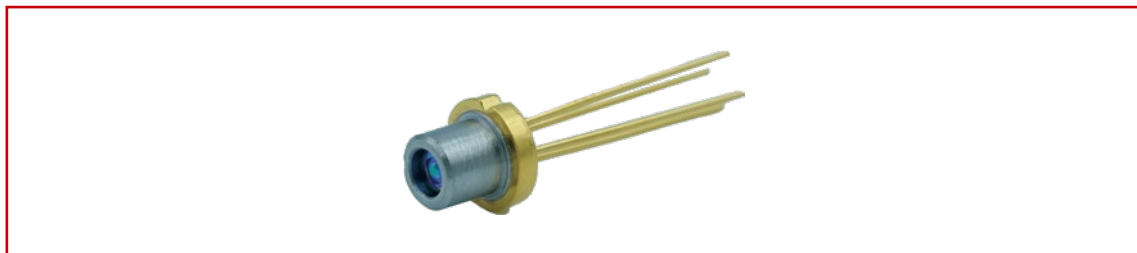
Dimensions and Pinouts



1490 DFB TO

Features

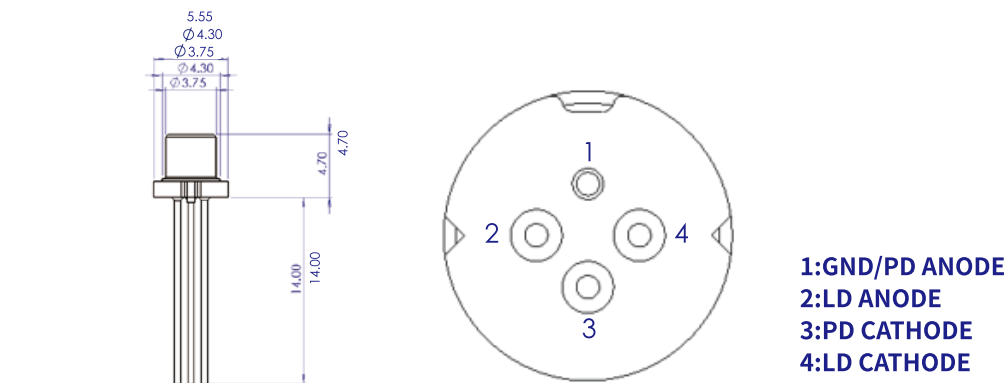
- Data rate 2.5G
- Operation temperature -40~85°C
- RoHS compliance



Standard Parts

No.	Name	Model	Rate	Temperature (°C)	Optical Output Power I _{th} +20mA	Wavelength	Package type	Stitching	Chip type
1	1490 DFB TO	TAV14EM	2.5G	-40~85°C	≥8mW	1490	TO56	4PIN	DFB

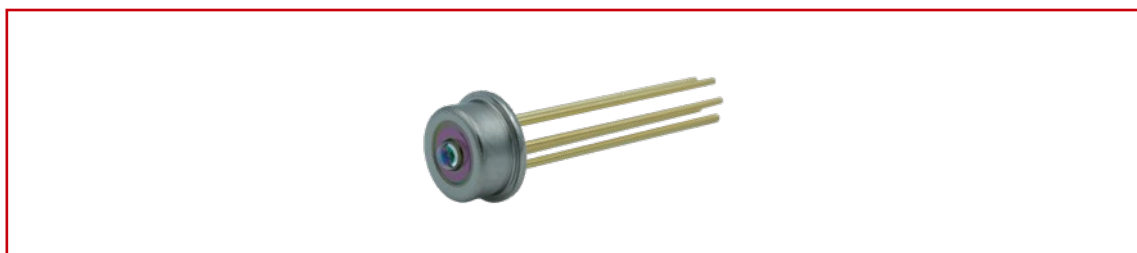
Dimensions and Pinouts



GPON OLT APD T

Features

- Data rate 1.25G/2.5G
- Operation temperature -40~85°C
- RoHS compliance



Standard Parts

No.	Name	Model	Rate	Temperature (°C)	Wavelength	Package type	Stitching	Chip type
1	GPON OLT APD TO	TGW13AM	1.25G	-40~85°C	1310	TO46	5PIN	APD
2	XG)PON OLT APD TO	TGV27AM	2.5G	-40~85°C	1270	TO46	5PIN	APD

Dimensions and Pinouts

